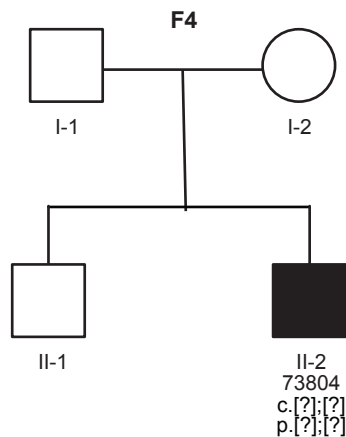
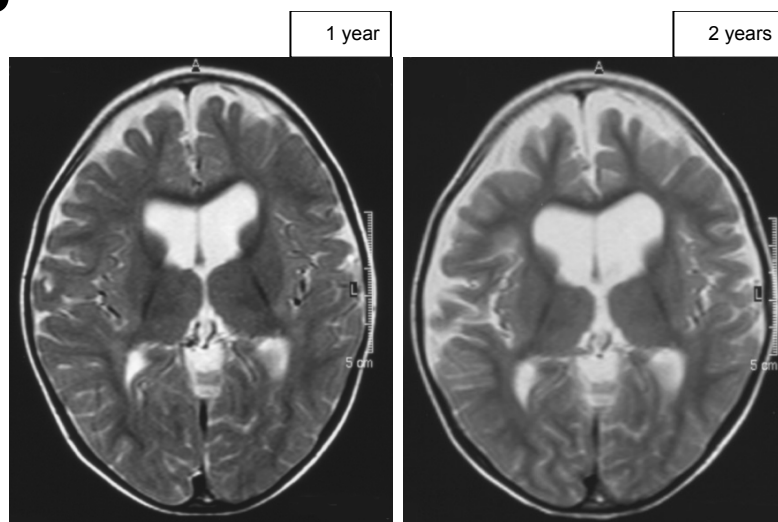
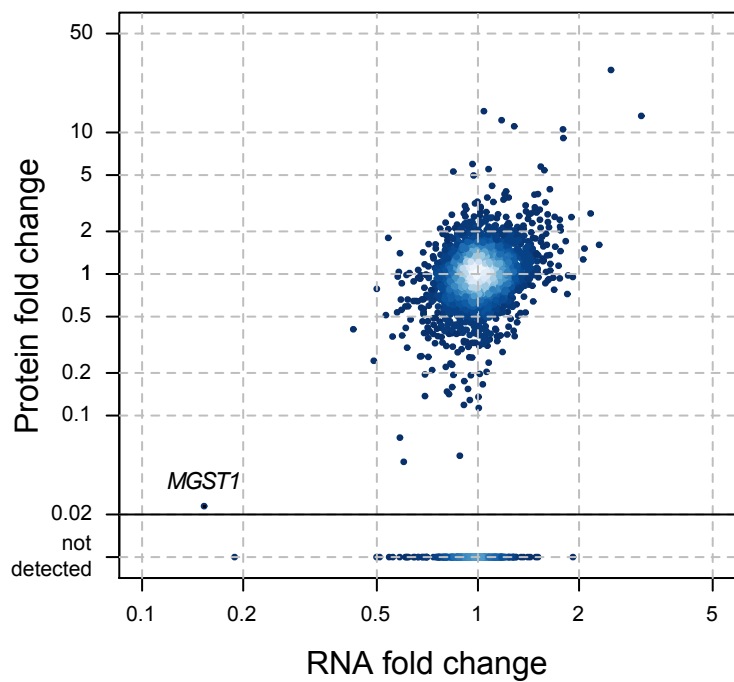


a**MGST1** NM_020300.4**b****c****Patient #73804****d**

Intensity of hydroethidine oxidation products

